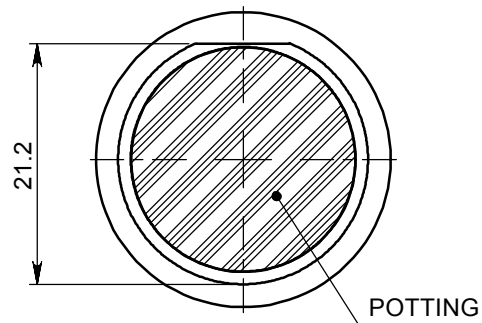


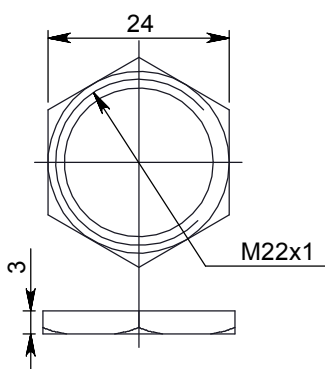
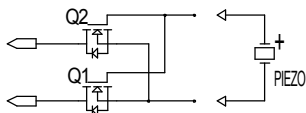
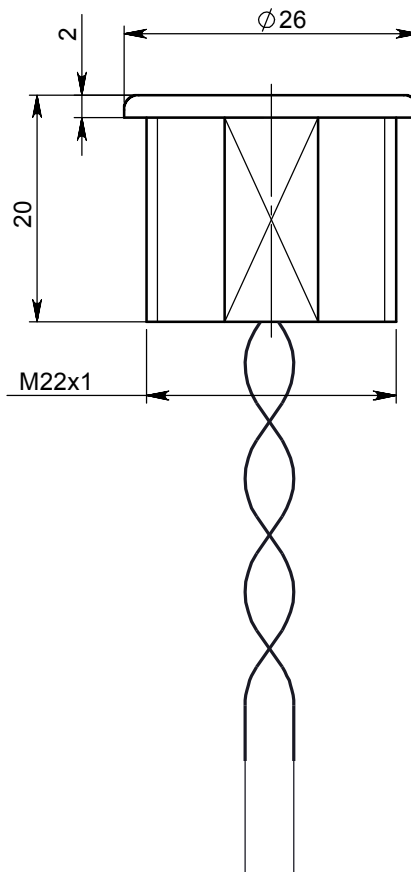
REV.	DESCRIPTION	DATE
1	Housing design renewed	5/23/2010

Scale 1:1



SPECIFICATIONS:

HOUSING MATL.: Plastic (POM)
 HOUSING COLOR: WHITE
 CONNECTION: 2 RED PVC WIRES 24 AWG, 300 ±10mm
 SWITCHING VOLTAGE: 1-24 V AC/DC
 SWITCHING CURRENT: 0.2 A
 SWITCH RESISTANCE "ON": <20 Ohm
 SWITCH RESISTANCE "OFF": >5 MOhm
 ACTUATION FORCE: 3-5 N
 MAKE IMPULSE TIME: 125-300 mSEC.
 OPER. AND STOR. TEMP.: -40 °C TO 90 °C



NUT
 Material: Brass (Ni coated)

		Tolerance ±0.1			
Itemref	Quantity	Title/Name, designation, material, dimension etc		Article No./ Ref.	
Approved by Ami Friedman Approved By AmiF at 23 May 10 13:38	Designed by Liya Tayzland Approved By LiyaT at 23 May 10 12:15	Filename 15000000_905-703	Draw. Num. 905-703	Scale -	Draw.Date 01.12.2009
		Baran House 8 Omarim St. Omer Industrial Area 84965 Israel Tel. 972-8-6200020 fax 972-8-6200021		BPS2AAW, Plastic, Wires, N.O, 0.2A AC/DC, 24V Cat. Num. 15000000 Edition 1 Sheet 1/1	