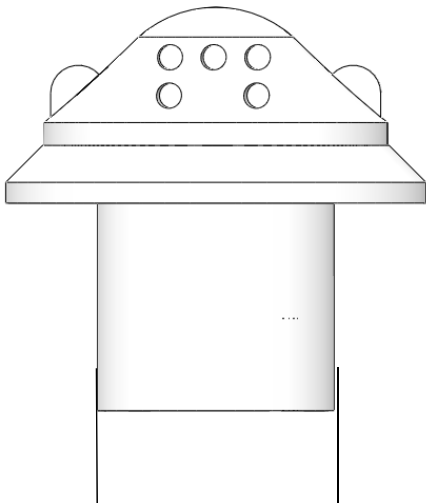
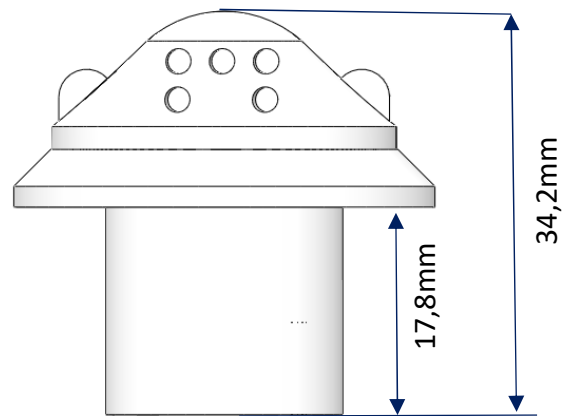
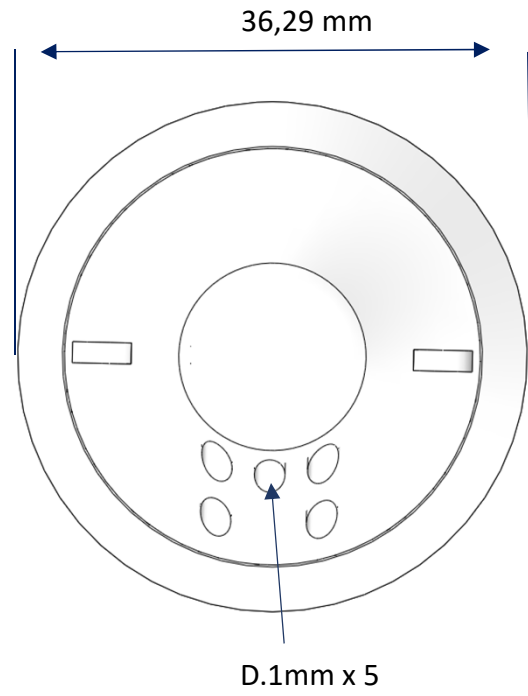
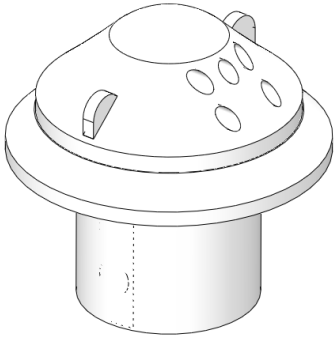


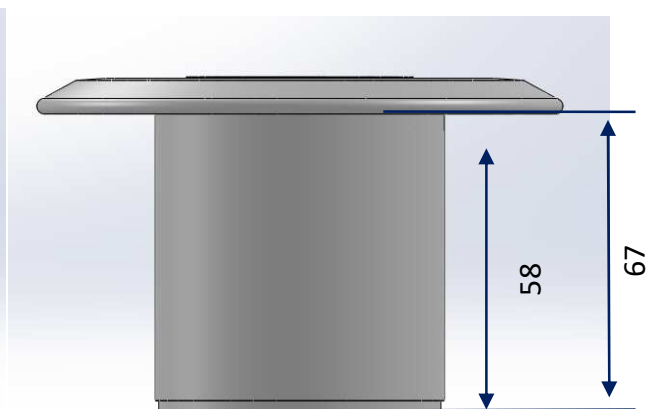
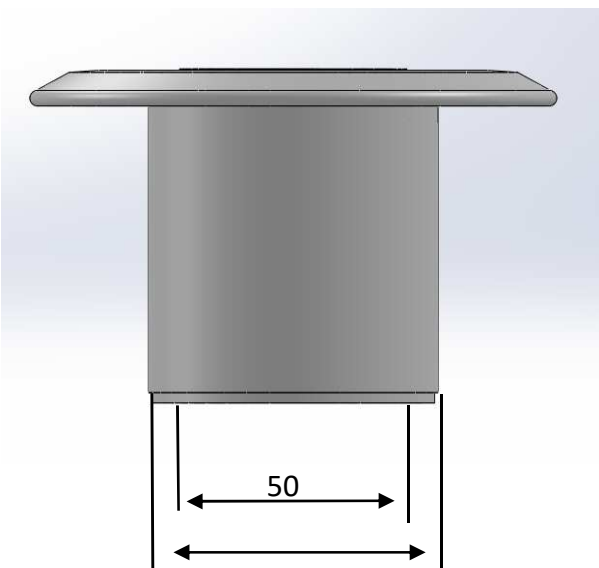
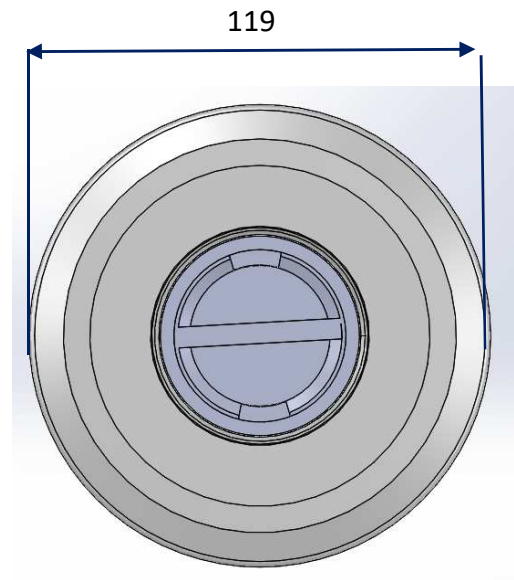
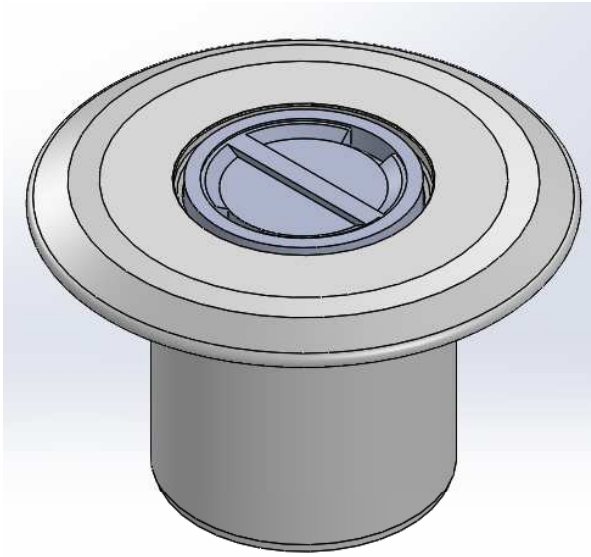
DIMENSIONS

Return Arquero solvent pipe 25 PN16
for Concrete pool



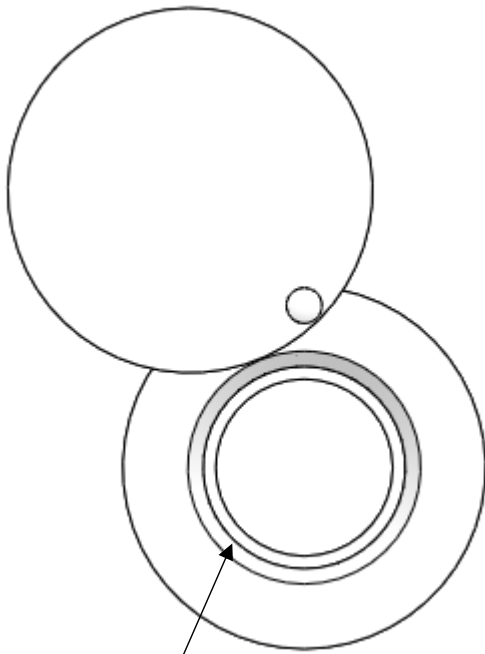
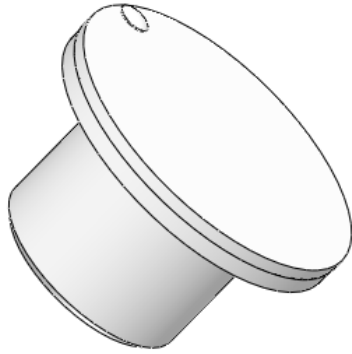
**DIMENSIONES
DIMENSIONS**

DESCRIPCION/DESCRIPTION:
Suction inlet to glue for concrete pool

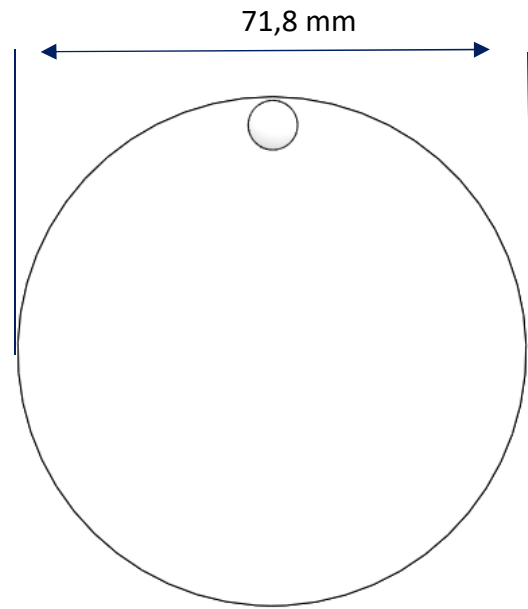


DIMENSIONS

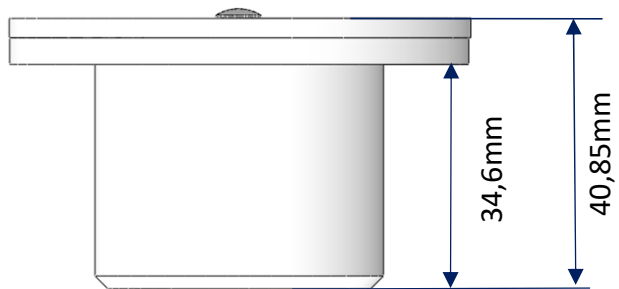
Inlet nozzle solvent pipe 50 PN10
for Concrete pool



D.39,8mm

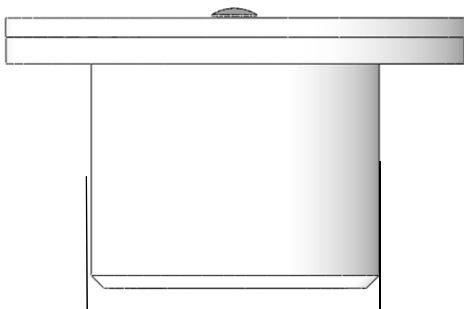


71,8 mm



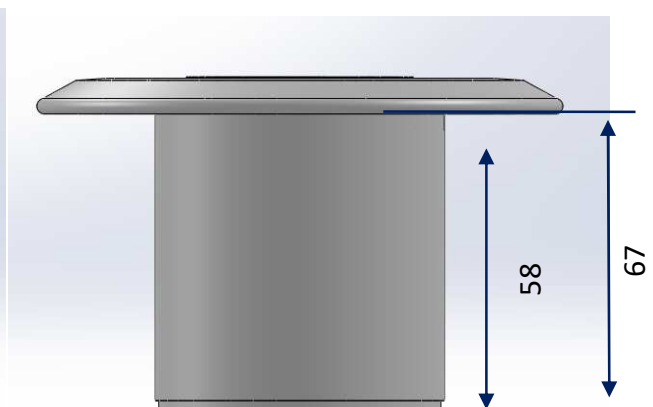
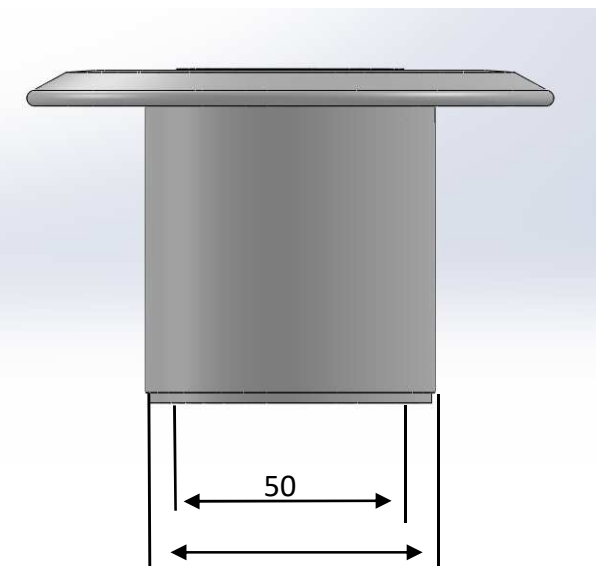
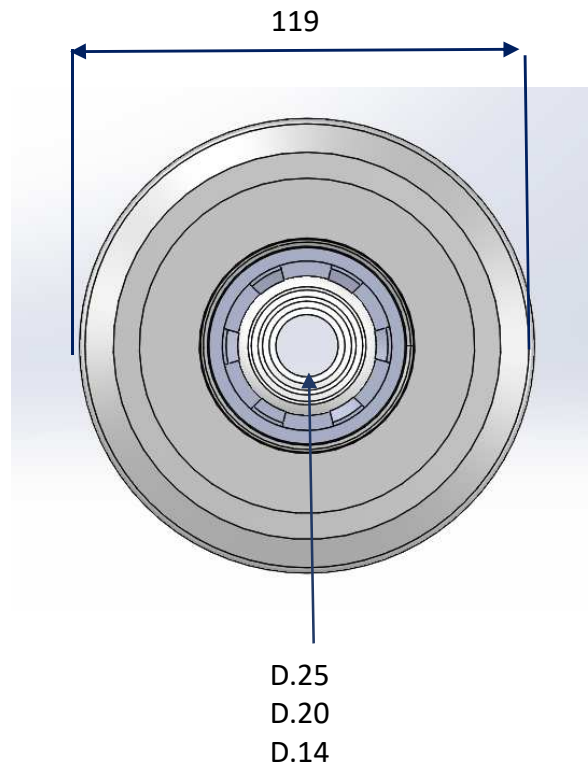
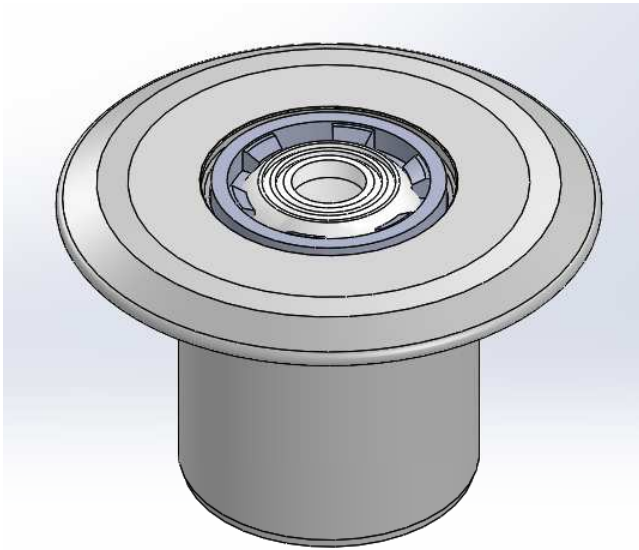
34,6mm

40,85mm



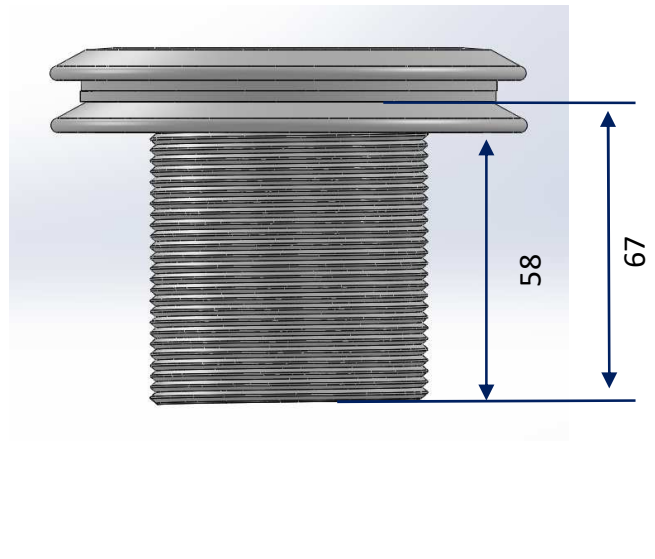
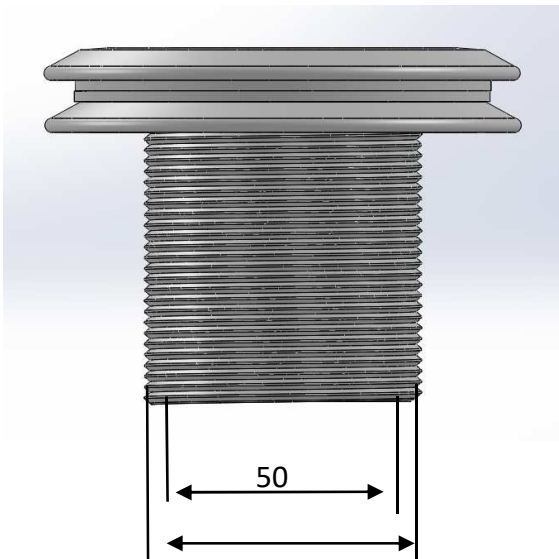
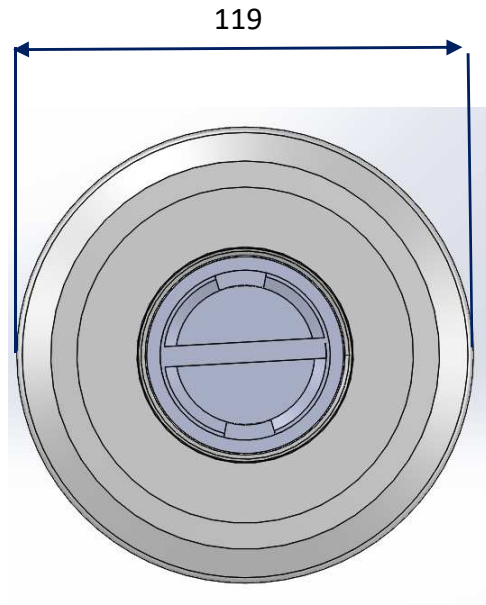
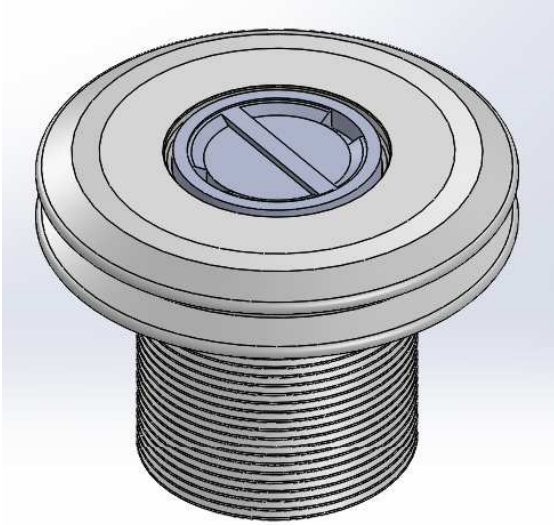
DIMENSIONES
DIMENSIONS

DESCRIPCION/DESCRIPTION:
Return inlet to glue for concrete pool



DIMENSIONES
DIMENSIONS

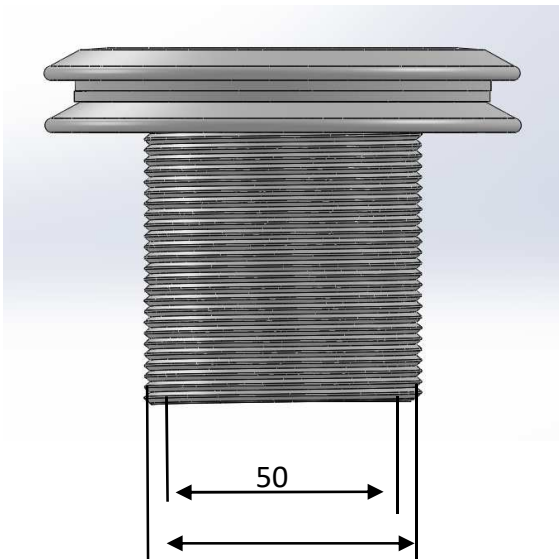
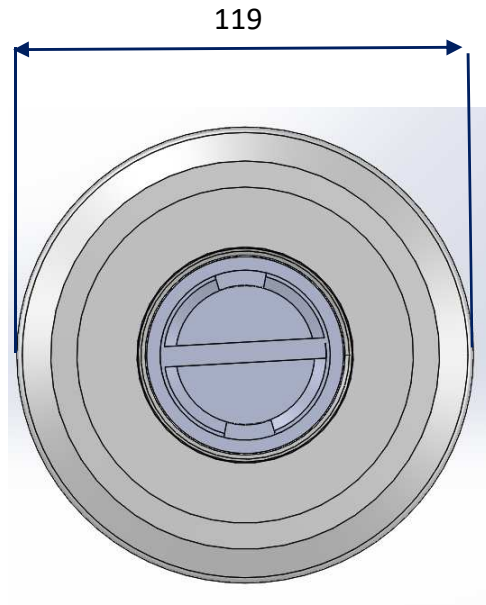
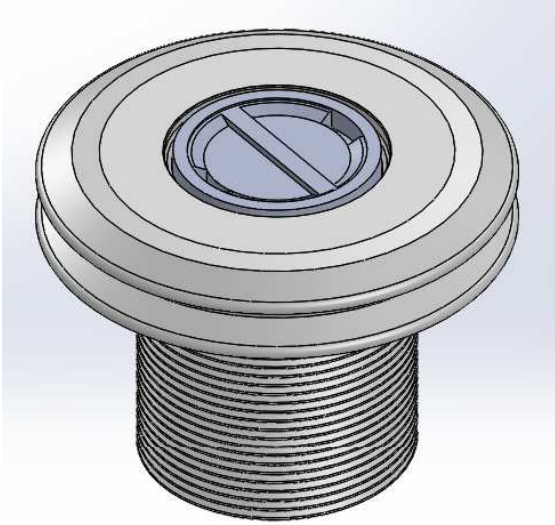
DESCRIPCION/DESCRIPTION:
Suction inlet threaded 2" for liner pool



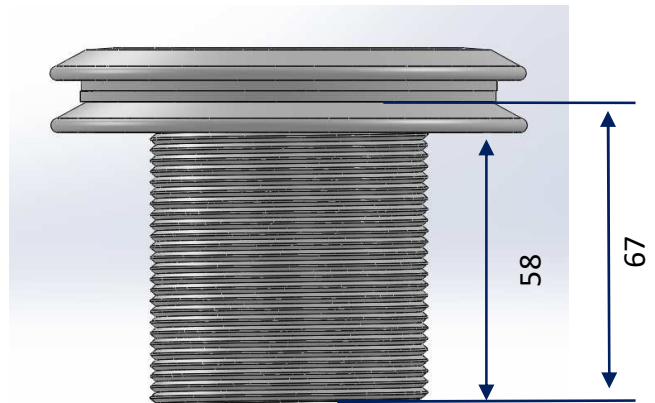
2" BSP

DIMENSIONES
DIMENSIONS

DESCRIPCION/DESCRIPTION:
Suction inlet threaded 2" for liner pool

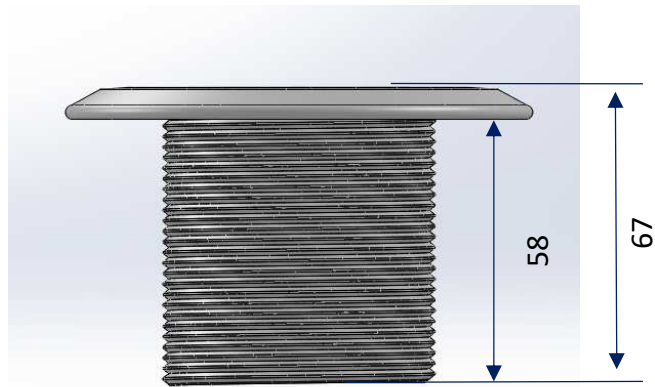
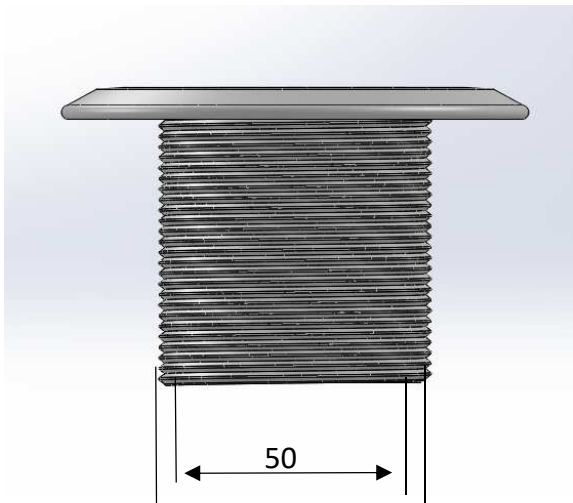
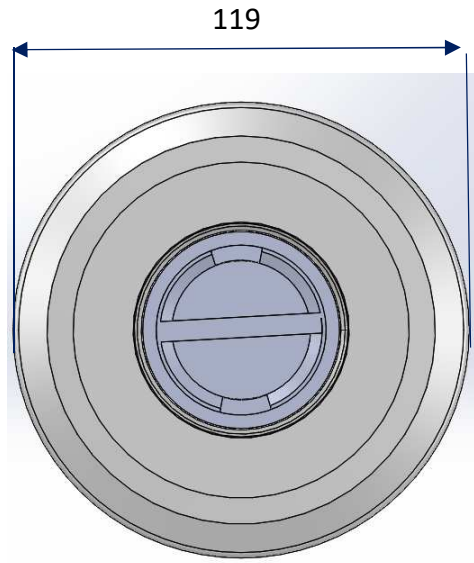
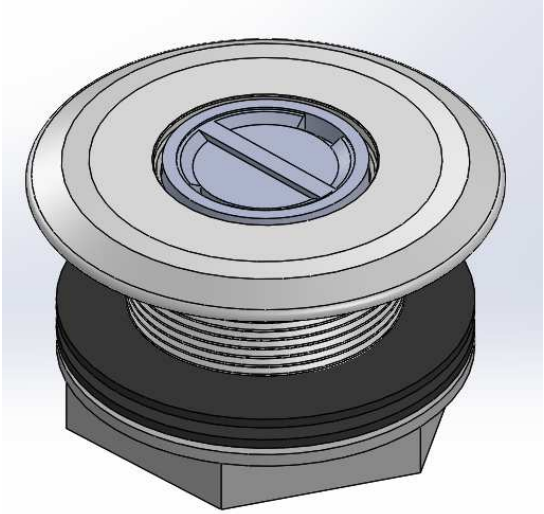


2" BSP



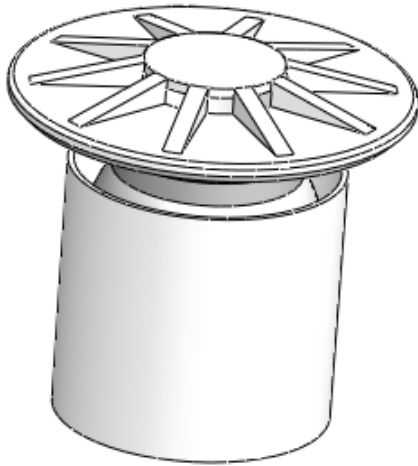
DIMENSIONS

Suction inlet threaded 2" for prefabricated pools

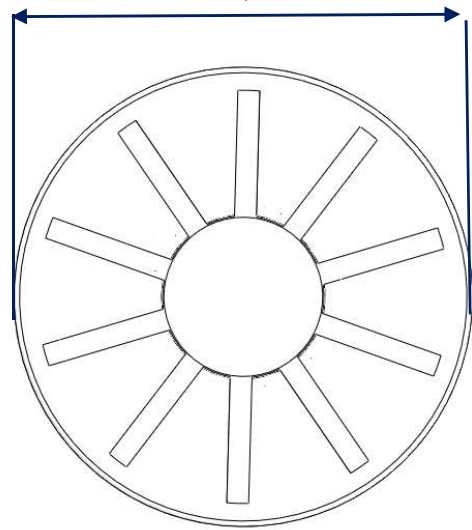


DIMENSIONES

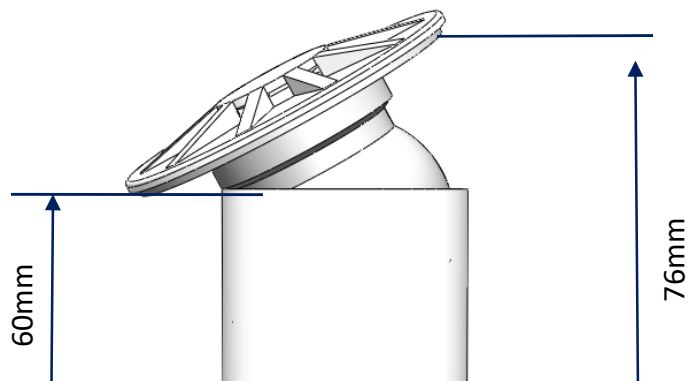
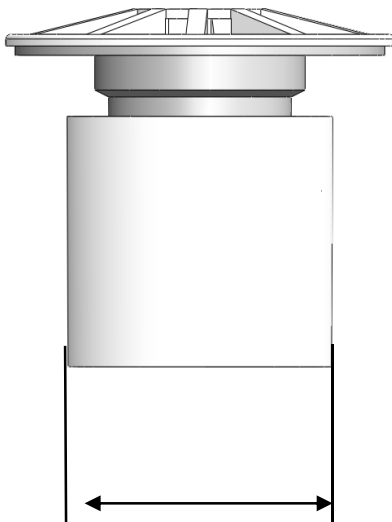
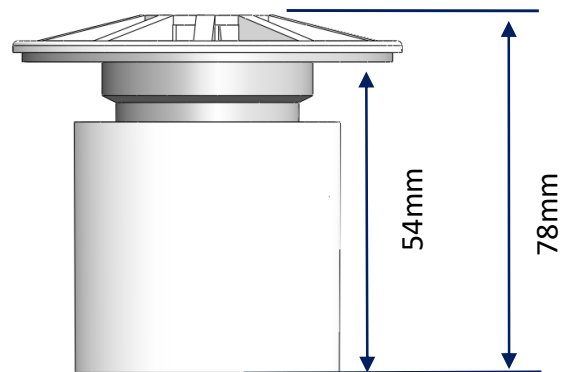
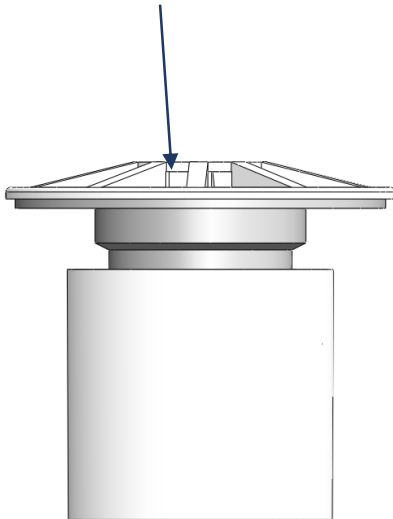
DESCRIPCION/DESCRIPTION:
Concrete floor Inlet solvent D.63 PN 10



83,7mm

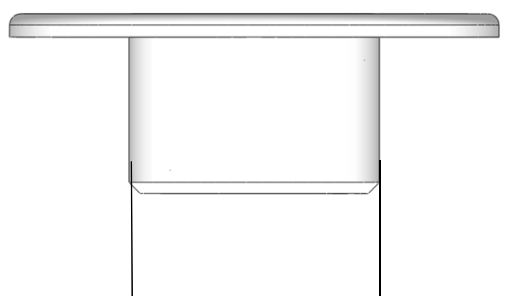
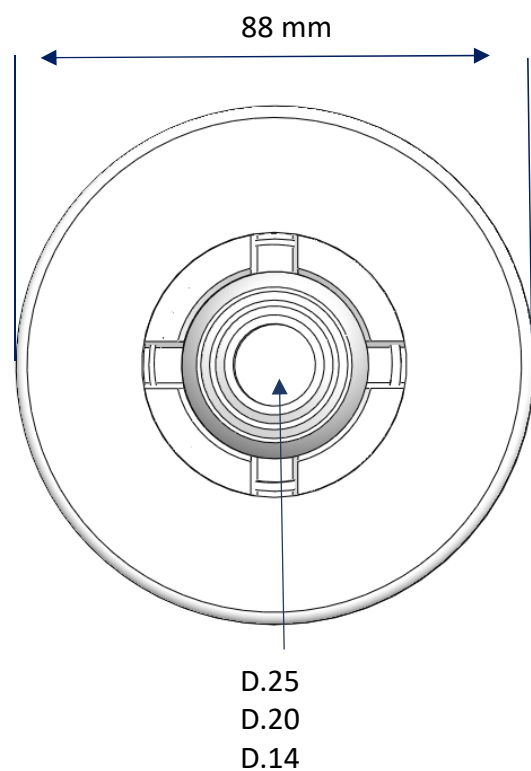
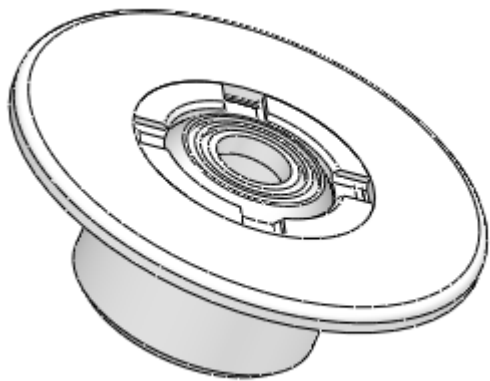


5,4mm x 2,8mm x 10



DIMENSIONS

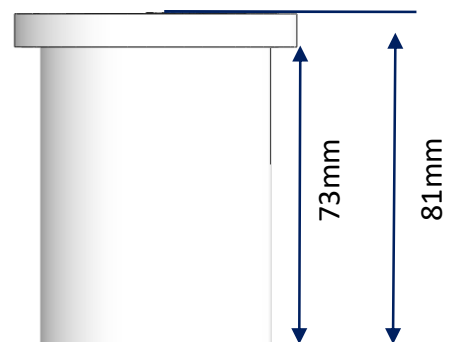
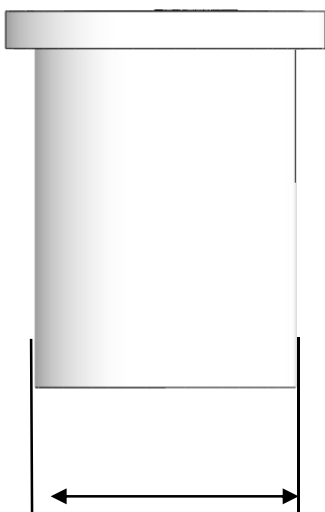
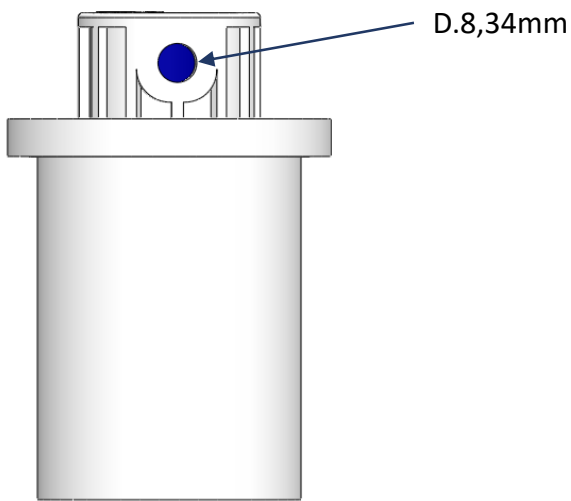
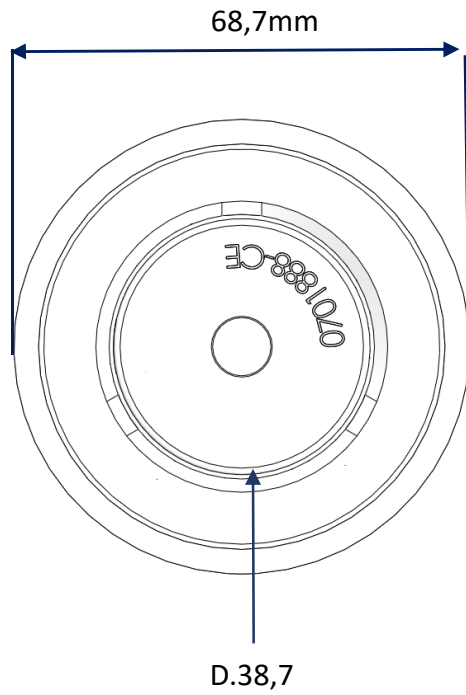
Return inlet solvent pipe 50 PN10 for Concrete pool



DIMENSIONES

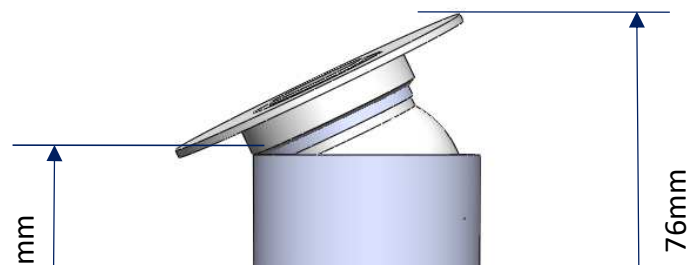
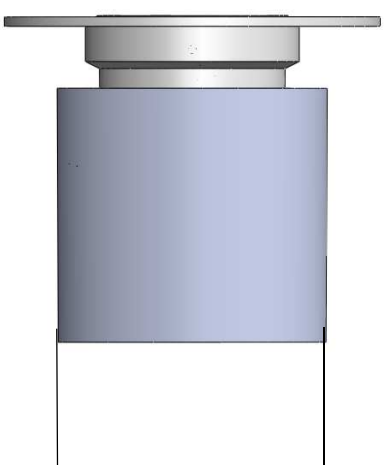
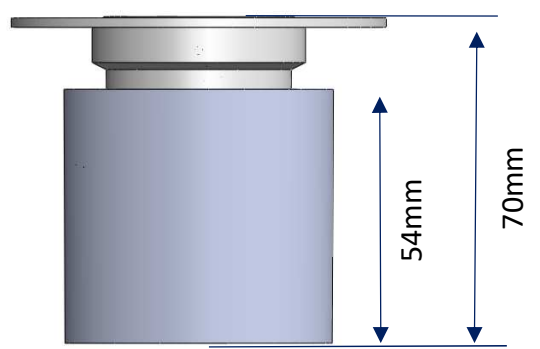
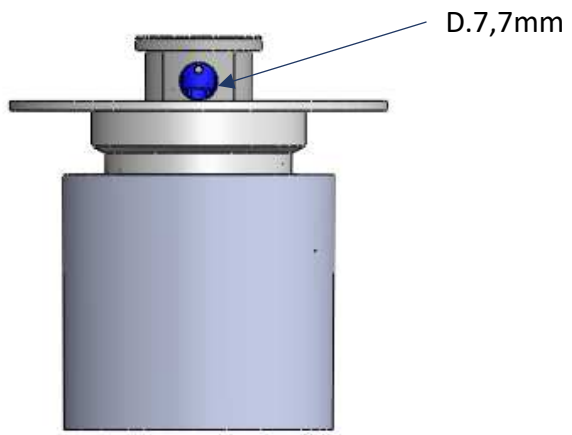
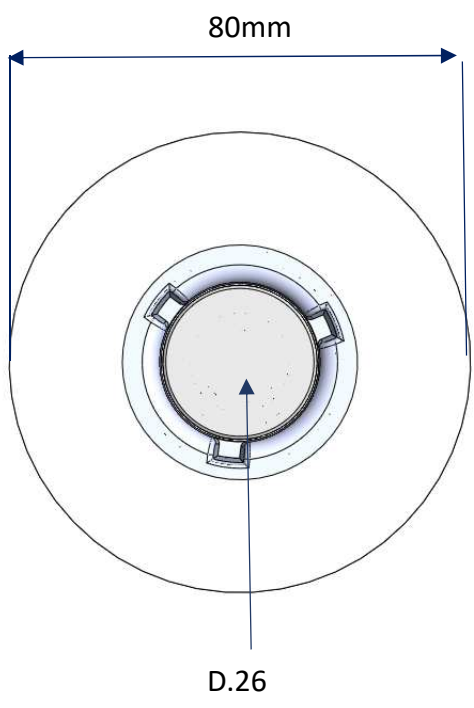
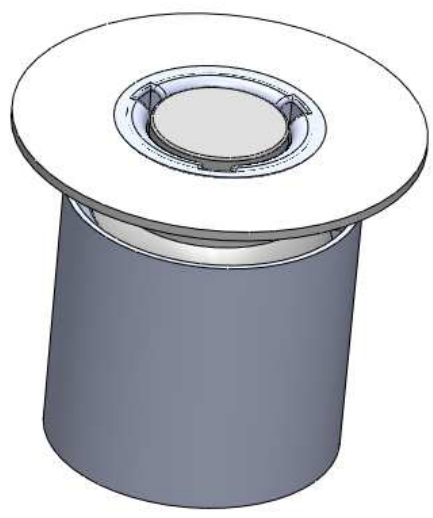
DESCRIPCION/DESCRIPTION:

Bottom Inlet LAI Multi-direction 5m3/h cleaning range 1,3m



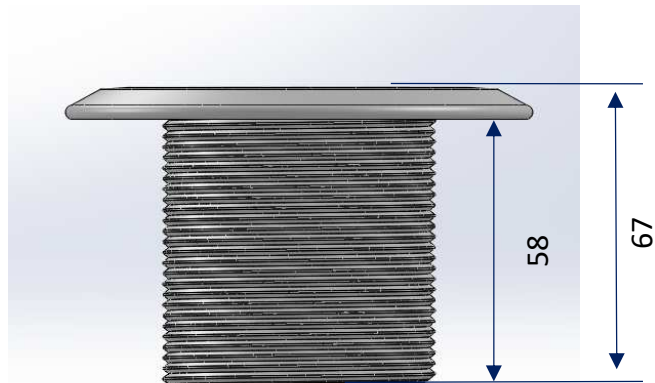
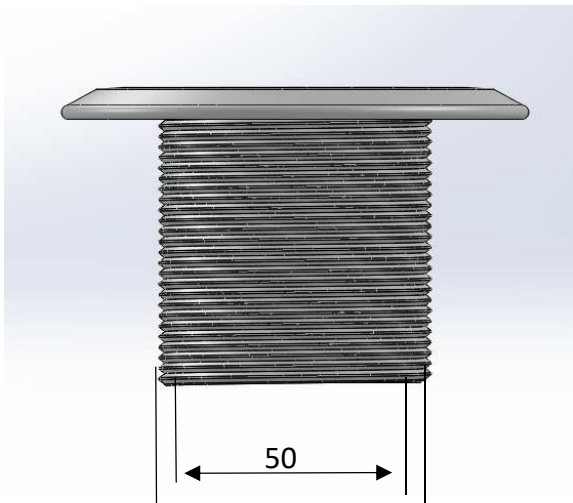
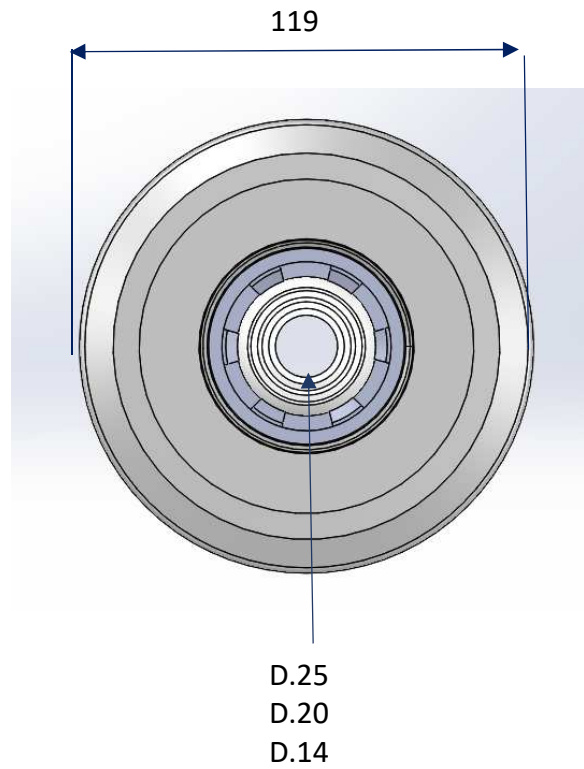
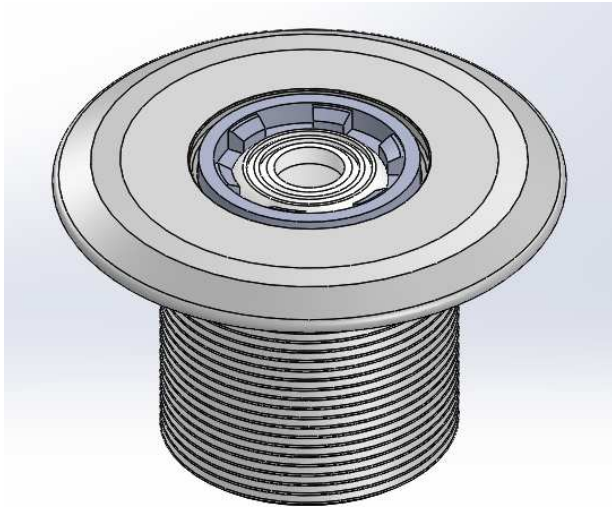
DIMENSIONS

Bottom Inlet LAI Multi-direction 3m³/h cleaning range 1m



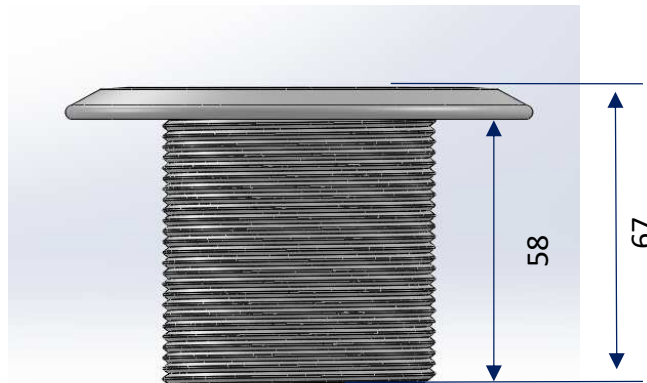
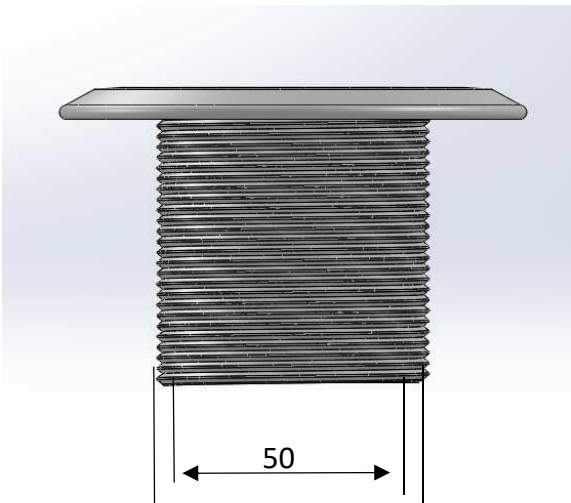
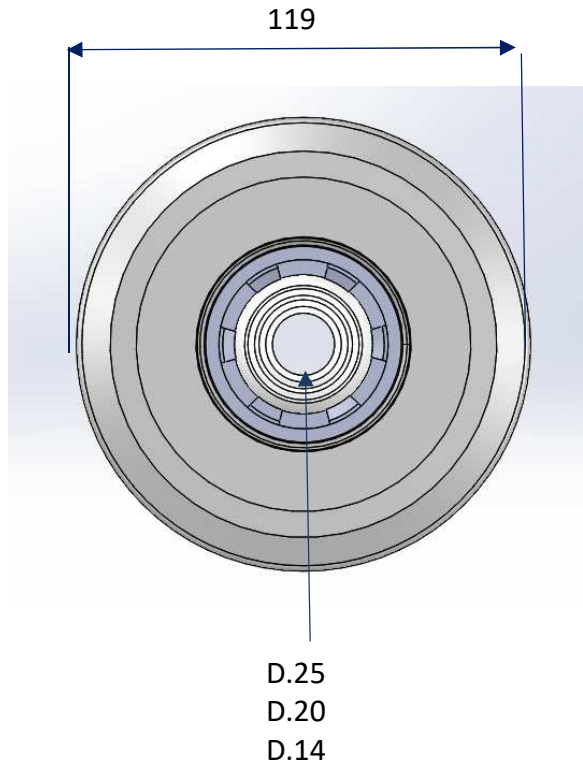
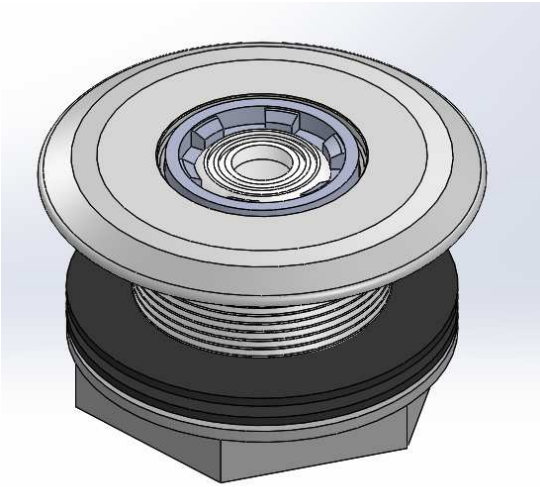
DIMENSIONS

Return inlet threaded 2" for Concrete pool



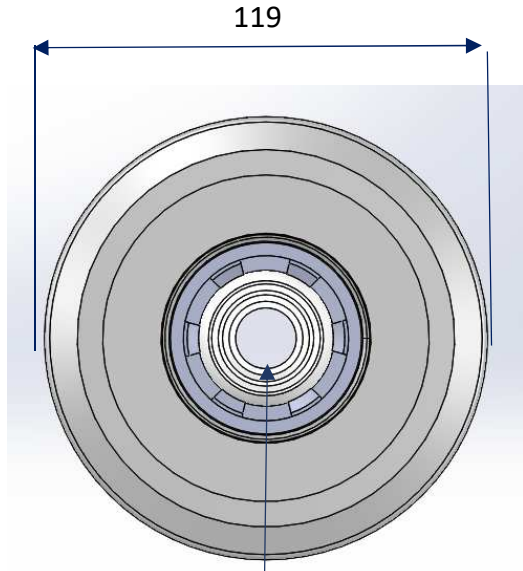
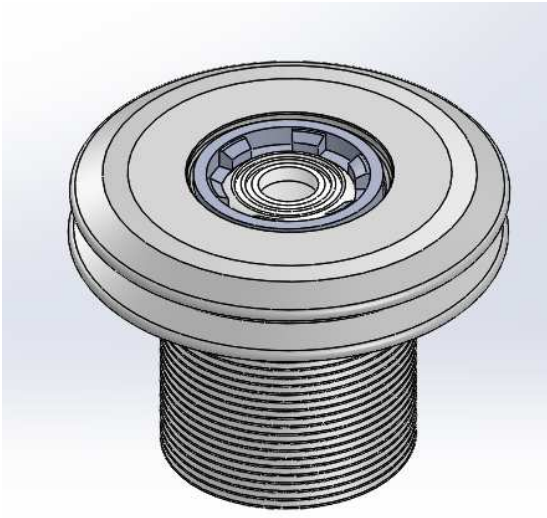
DIMENSIONS

Return inlet threaded 2" for Prefabricated pool

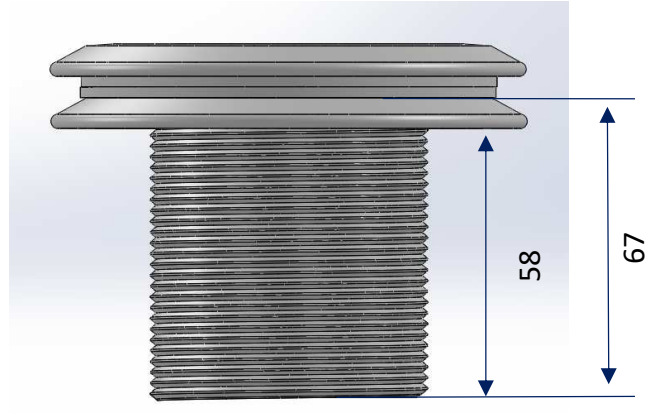
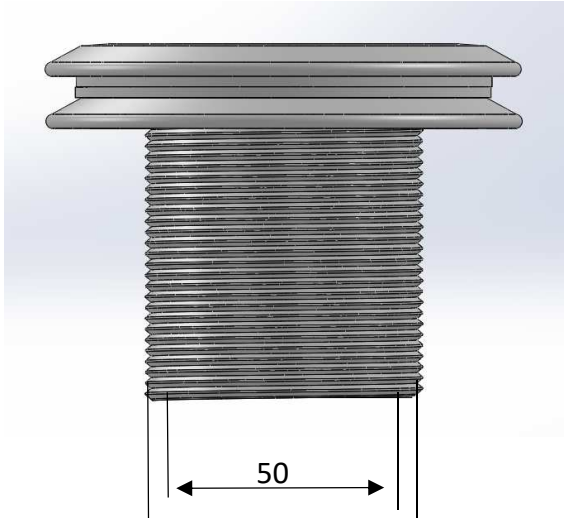


DIMENSIONS

Return inlet threaded 2" for Liner pool

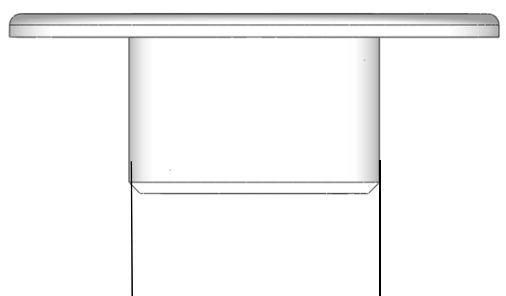
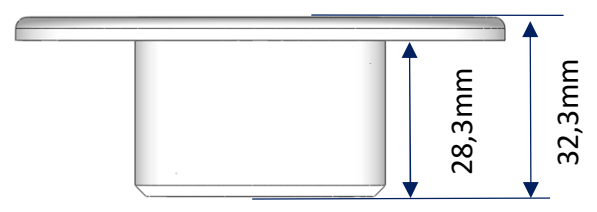
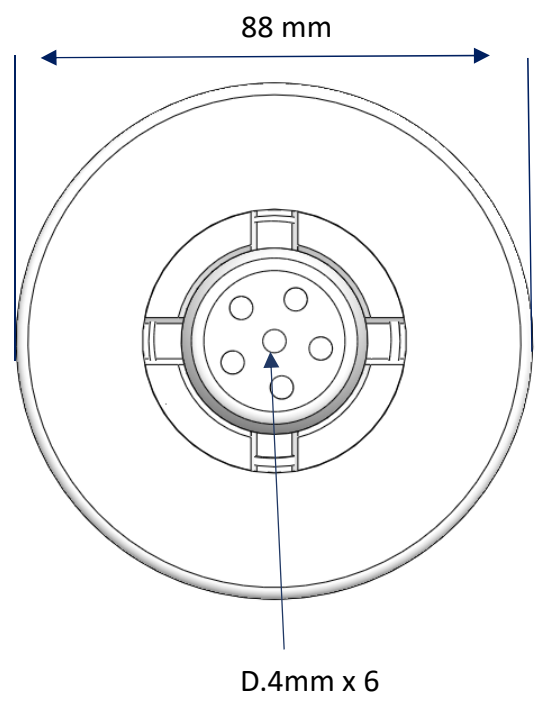
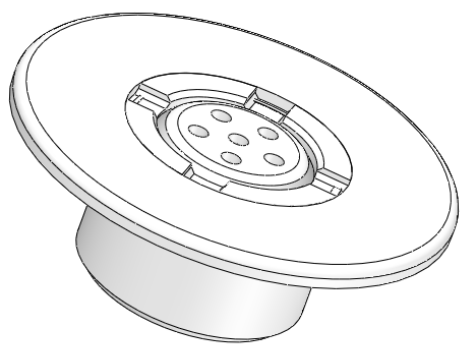


D.25
D.20
D.14



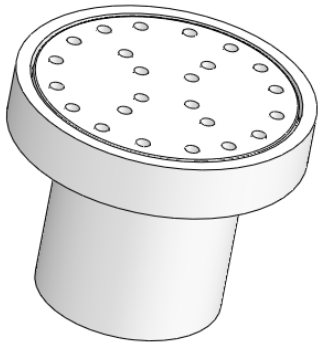
DIMENSIONS

Return massage solvent pipe 50 PN10
for Concrete pool



DIMENSIONES

DESCRIPCION/DESCRIPTION:
Air blower nozzle solvent pipe 32 PN16
for Concrete pool



Airflow 8-9 m³/h

