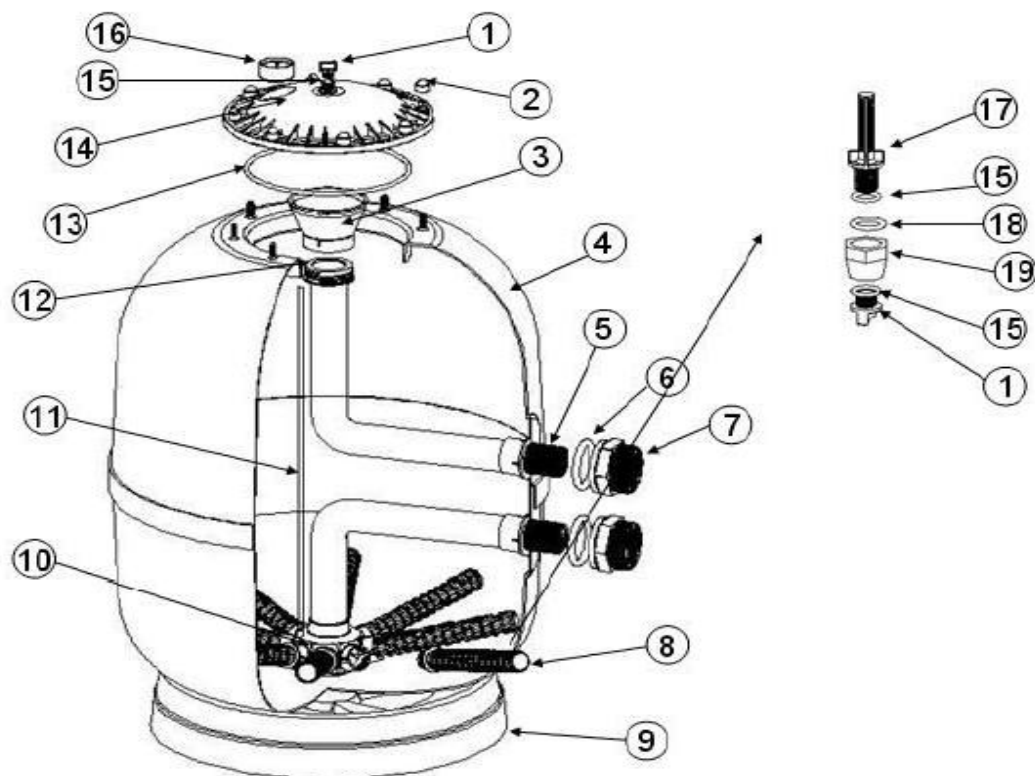


# RECAMBIOS FILTRO POSEIDON



	REFERENCIA	DENOMINATION	DENOMINACIÓN	DESIGNATION
1	Z-01003	Tampon purge 1/4"	Tapon Purga 1/4"	Bouchon de purge 1/4"
2	Z01002	Plastic plug M8	Tapon plastico M8	Bouchon en plastique M8
3	Z-01017	Diffuser $\varnothing$ 50	Difusor $\varnothing$ 50	Diffuseur $\varnothing$ 50
4		Filter Body	Cuerpo de filtro	Cuve du filter
5	Z-01013/Z01014	Terminal 1 1/2" and 2"	Terminal 1 1/2" y 2"	Terminal 1 1/2" and 2"
6	807505	O-ring $\varnothing$ 75*5	Junta purga $\varnothing$ 75*5	O-ring $\varnothing$ 75*5
7	Z-01005/Z-01006	Filter exit 1 1/2" and 2"	Salida filtro 1 1/2" y 2"	Sortie filtre 1 1/2" y 2"
8	Z-01009/Z01010/Z-01011	Arm collector 110,205,245mm	Brazo colector 110,205,245mm	Collecteur brass 110,205,245mm
9	P01/P02/P03	Filter foot	Pie de filtro	Base de filtre
10	Z-01012	Collector 8 arms	Colector 8 brazos	Collecteur 8 bras
11	T-06750	Pipe * $\varnothing$ 6	Tubo * $\varnothing$ 6	Pipe $\varnothing$ 6
12	Z-01018	Support diffuser $\varnothing$ 50	Difusor soporte $\varnothing$ 50	Diffuseur $\varnothing$ 50
13	802306	O-ring $\varnothing$ 230*5, 7 epdm 65	Junta purga $\varnothing$ 230*5, 7 epdm 65	O-ring $\varnothing$ 230*5, 7 epdm 65
14	Z01001	Top cover	Tapa	Couvercle
15	801702	O-ring $\varnothing$ 17*2	Junta purga $\varnothing$ 17*2	O-ring $\varnothing$ 17*2
16	Z-01004	Pressure gauge 1/8" 3kg D50	Manometro 1/8" 3kg D50	Manometre 1/8" 3kg D50
17	Z-01008	Purge 3/8"	Purga 3/8"	Purge 3/8"
18	802204	O-ring $\varnothing$ 22*4	Junta purga $\varnothing$ 22*4	O-ring $\varnothing$ 22*4
19	Z-01007	Purge holder	Tuerca purga	Purge holder